

# TRANSFORMERS™



**AGES 5+**  
83649/80402 Ass't.



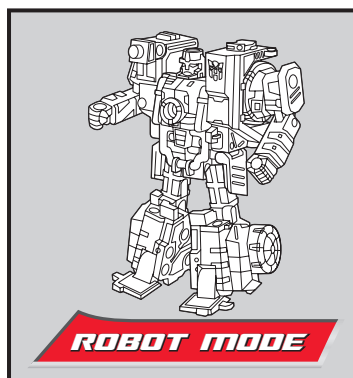
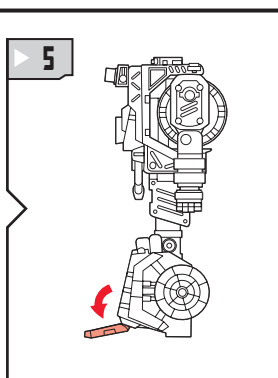
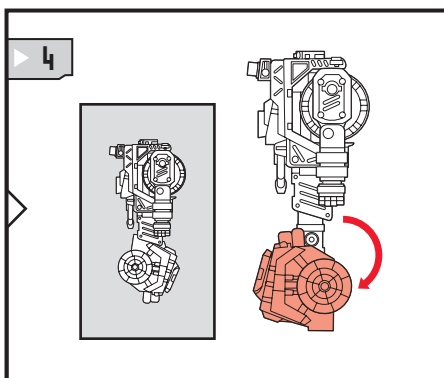
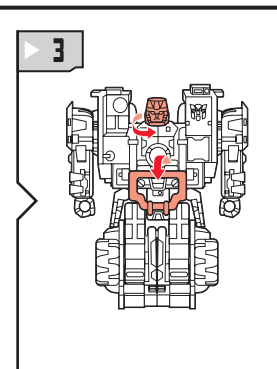
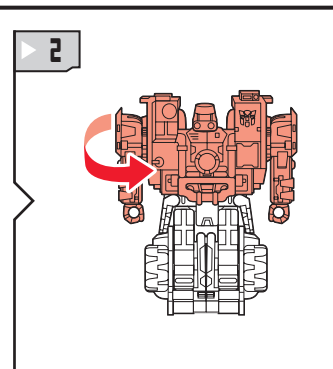
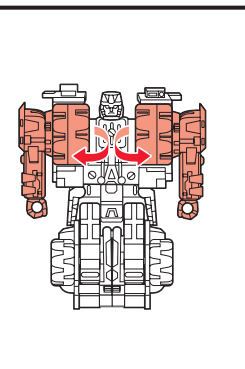
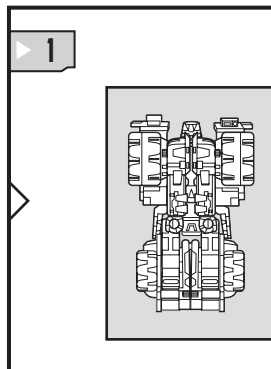
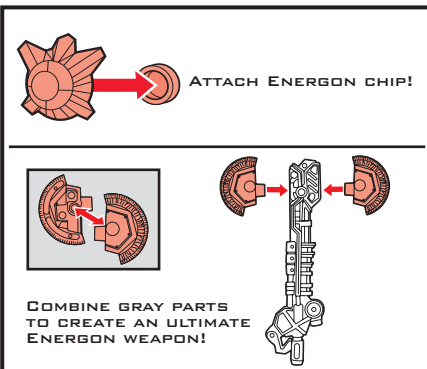
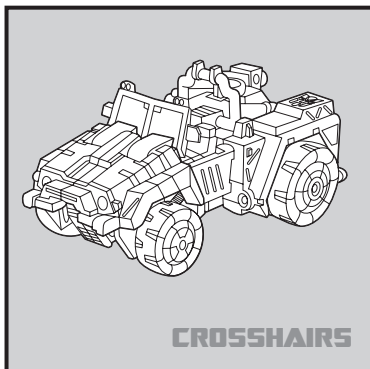
**WARNING:**

CHOKING HAZARD-Small parts.  
Not for children under 3 years.

NOTE: Some parts are made to detach if excessive force is applied and are designed to be reattached if separation occurs. Adult supervision may be necessary for younger children.

TRANSFORMERS.COM

## CHANGING TO ROBOT



REVERSE ORDER OF INSTRUCTIONS TO CONVERT BACK INTO VEHICLE.

